



E400

EXCAVATOR OPERATING WEIGHT CLASS 400 TONNES



The Sleipner System can significantly increase the productivity of your mine.

HOW?

By safely increasing travel speeds over 80%.
By reducing undercarriage maintenance times
at least 50%. And by considerably cutting fuel
consumption and CO₂ emissions while travelling.

**How is this possible?
READ ON.**



E400



GET MORE OUT OF YOUR MINES.

The Sleipner System is a groundbreaking innovation that is changing excavator logistics for good. Traditional methods cost time and money while keeping machines out of work for long periods of time.

Sleipner enables moving excavators around safely and phenomenally faster – every spin of a Sleipner wheel saves you money as well as time to be directed into productive work. This clever system is simple in idea, simple to acquire, and simple to use. And we will help you every step of the way.

SLEIPNER BENEFITS:

LESS TIME, FEWER COSTS, MORE PROFITS

While time drags as other miners wait for their excavators to travel or their undercarriages to be serviced, satisfied Sleipner users watch their dig.

Without Sleipner, up to 15% of excavator working time is spent travelling. The Sleipner System reduces travel time by 70% and doubles, or even triples, undercarriage lifetime,

significantly reducing maintenance costs and downtime while increasing excavator utilization.

Sleipner is a sustainable solution. It reduces fuel consumption and CO₂ emissions while travelling by over 80%. All this means fewer costs and more profits. Do the math. Sleipner may just be the best investment you have ever made.

SUITABLE COMBINATIONS

All weights in metric tons

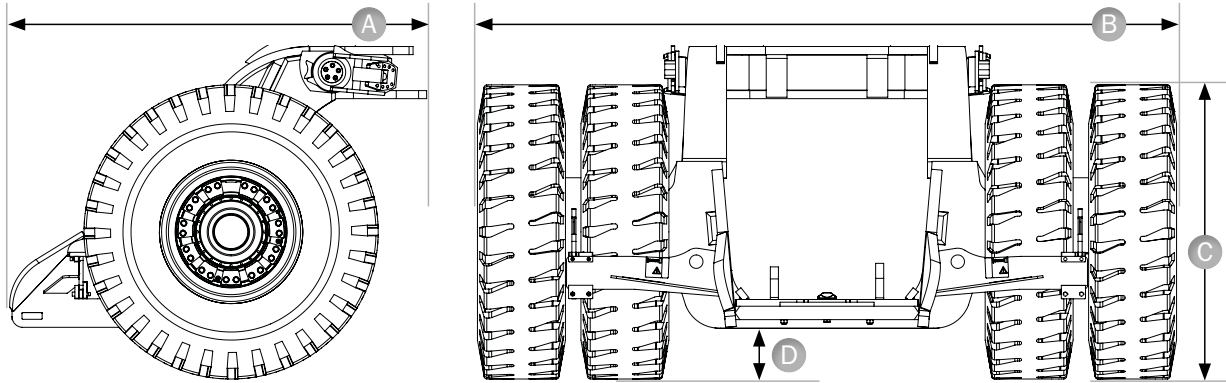
Sleipner Model	Excavator Examples	Operating Weight	Recommended Truck Class	Truck Examples	Minimum Truck Class
E400	Hitachi EX3600	361	180–200	Hitachi EH3500 Komatsu 730E Belaz 7530 CAT 789	170
	Komatsu PC4000	380			
	RH170 / CAT 6040	397			

NOTICE: With recommended combinations a 10% uphill under regular road conditions can be handled with a single towing truck. Minimum class trucks can be used in terms of load capacity, but may need another truck to assist when going uphill. If grades exceed 10%, an assisting truck may be needed also with recommended combinations.

TECHNICAL DETAILS

At Slepner we are proud of our high quality products. Our brand not only represents our vision, but also the effort we put into making a product that will last at least twice the operational lifetime of an excavator. Still today, the first Slepner ever built is fully functional.

Our top engineers have carefully designed every single component of the Slepner System, and they are produced with the highest precision.



Dimensions

Ⓐ	3,20 m
Ⓑ (1200/1300 mm)	5,20 m
Ⓒ	2,20 m
Ⓓ	0,22 m

Max allowed loader weight	400 tonnes
Max allowed driving speed	15 km/h
Operating temperature – Available for arctic conditions on request	–25 °C ... +55 °C –40 °C ... +55 °C
Tyre size	24.00-35
Tyre type and ply	Bias 48
Tyre quantity	8
Typical ground pressure	5,5 kg/cm ²

Track width	Weight (per pair)
1200/1300 mm	40,0 tonnes



CONVINCED? INTERESTED IN KNOWING MORE?

If you are interested and would like more information, please contact Rory Hollins on
0027 82 777 1221 or email Rory on rory@sleipner.co.za



Simply ride and roll.

SLEIPNER AFRICA
rory@sleipner.co.za
www.sleipner.co.za

Sleipner Finland Oy reserves the rights for modifications and updates.

SLEIPNER AFRICA